

# AVi555

## Internal Fan Alternator 12 Volt, 170 Amp

For Heavy Duty Class 5-8 Applications



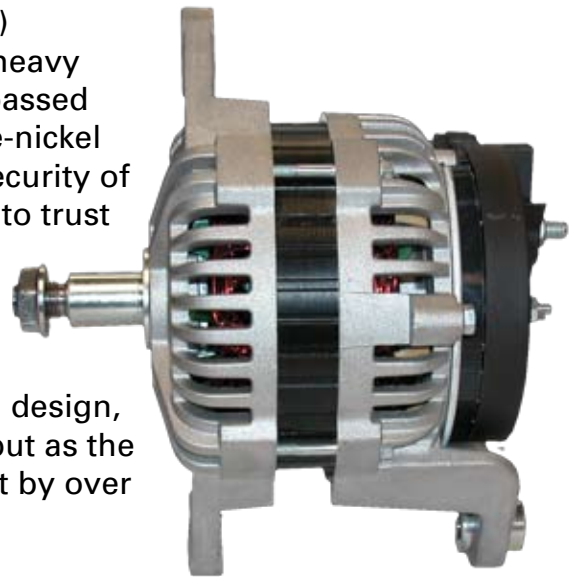
# The New AVi555

## An Industry Standard - Reborn

For a generation, the Leece-Neville 555 (triple-nickel) alternators have set a benchmark against which all heavy duty truck alternators have been measured. Unsurpassed in output, durability and reliability, the original triple-nickel alternators have provided our customers with the security of a solid, stable product line that they have been able to trust for over 20 years, with millions of units sold.

Leece-Neville is now building on that proud heritage, and is pleased to announce the release of the new **AVi555** alternator. Featuring an internal fan design, this compact unit provides the same maximum output as the original 555 in a package that reduces overall weight by over 16%.

The AVi555 has been designed from the ground up to fit a wide variety of applications, to give our customers the greatest flexibility with the fewest part numbers.



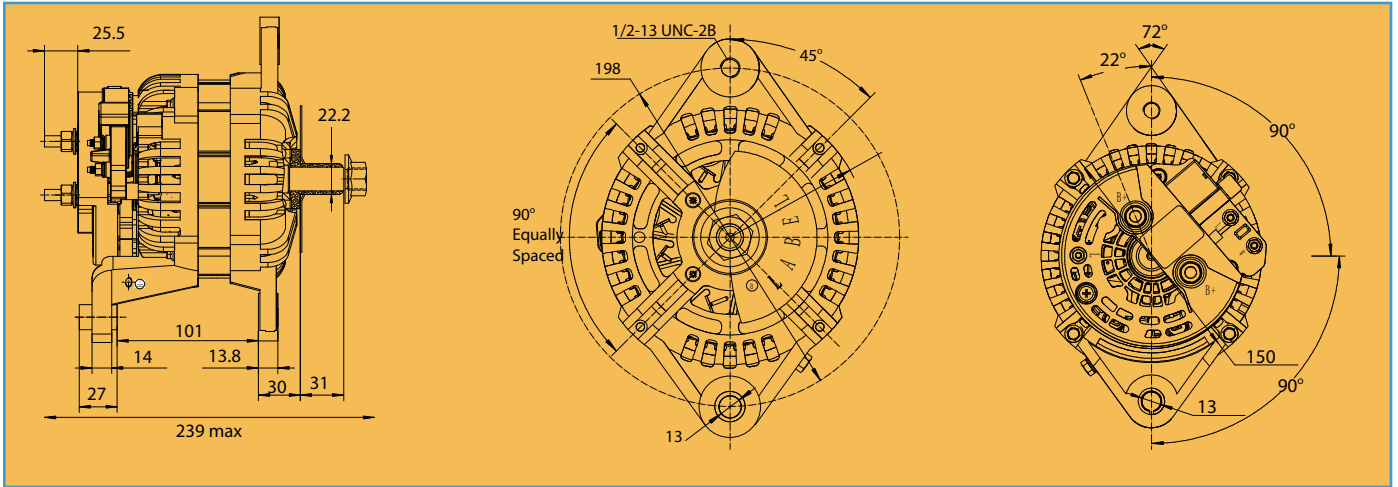
### Features / Benefits

- Case ground
- High temperature rated
- 170 amp
- Lightweight
- Multiple locations for both B+ and B- connections

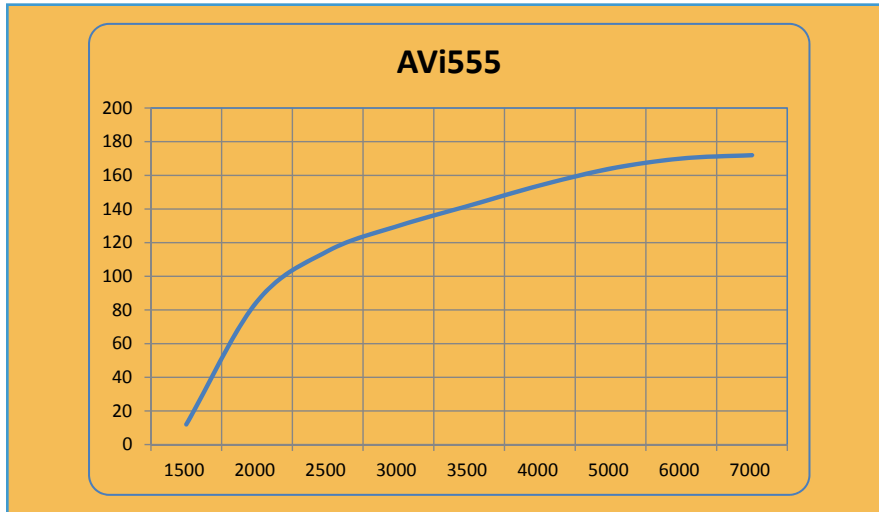
#### AVi555 Specifications

Performance	12 volt, 170 amp
Temperature limits	-20° C to 105° C
Maximum speed	6,000 RPM continuous 10,000 RPM maximum
Warranty	1 year, 120,000 miles
Weight	16.3 lbs (7.4 kg)

## Dimensions



## Output



## Cross Reference

Leece-Neville	Competitor	Part Numbers	
AVi555J	Delco-Remy	8600310	19020358
		10459188	19020359
		10459189	19020364
		10459190	19020365
		19020300	19020377
		19020302	19020801
		19020303	19020806
	Bosch	AL9960LH	



**Leece-Neville Heavy Duty Systems**  
**7585 Empire Drive**  
**Florence, KY 41042**  
**USA**

(800) 354-0560 Phone  
(800) 997-6202 Fax  
[www.prestolite.com](http://www.prestolite.com)