

# 39MT™

HEAVY DUTY GEAR REDUCTION STARTER  
12V/7.3kW



A POWERFUL LEGACY | *Engineering the Future™*

# 39MT™

**Aftermarket Service Program  
New Rotatable Flange™ Models**

**Only three part numbers covering virtually every engine.**

Reduce your inventory costs with the Delco Remy 39MT All Makes Program.

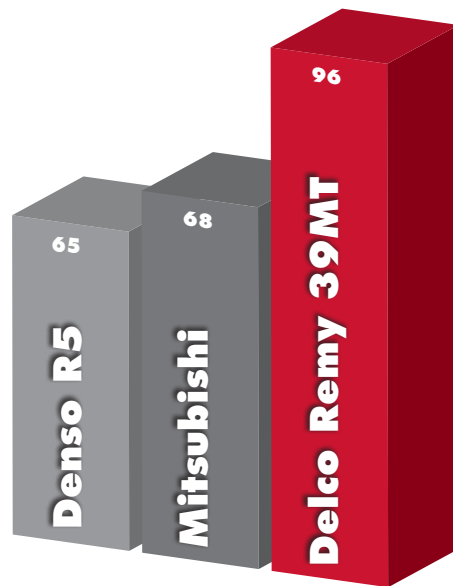
Warranty:  
3 year/unlimited miles

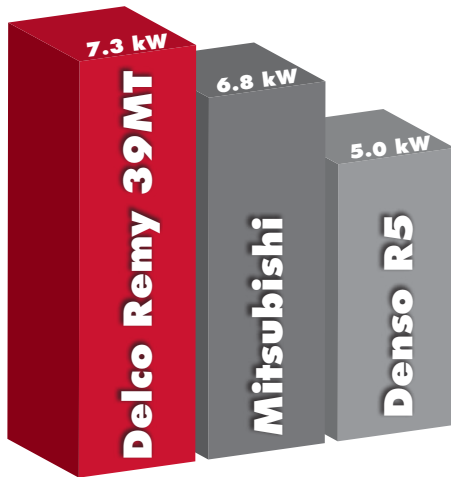
All the new Delco Remy service models come standard with Over Crank Protection (OCP). OCP monitors the internal temperature and prevents thermal damage to the starter by preventing overcranking.

These models also feature an Integral Magnetic Switch (IMS). IMS reduces voltage drop and ensures the solenoid receives the maximum available voltage in any starting condition.

## **CRANKING SPEED PERFORMANCE**

The Delco Remy 39MT engine cranking speed (RPM) is 30% faster than other starters on the market.

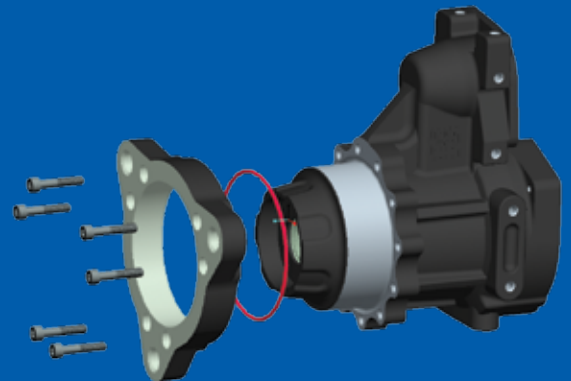




### COLD TEMPERATURE PERFORMANCE

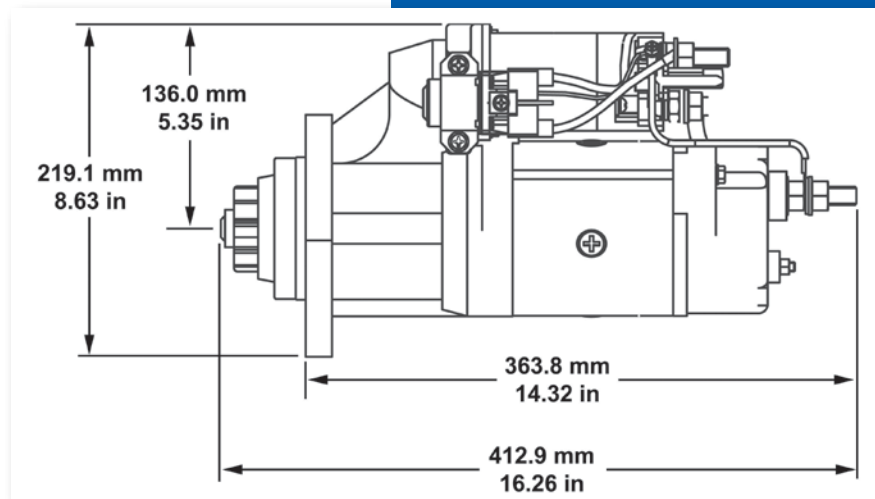
In peak power output at -20°C testing, the Delco Remy 39MT not only met but exceeded the competition handsdown.

39MT SPECIFICATIONS - ALL MAKES	
Engine Size	12V up to 16 liters
Rotation	Clockwise
Mounting	SAE #1, SAE #3
Pinion Data	SAE: No. Teeth (Pitch) 11 (6-8) SAE: No. Teeth (Pitch) 12 (8-10) SAE: No. Teeth (Pitch) 12 (Mod 3-metric)
Output	12V peak at 7.3kW
Weight	14 kg / 30.8 lbs.
Diameter	114 mm / 4.5 inches
Heavy Duty Drive	Electrical Soft-Start Engagement System Overrunning Clutch
Overcrank Protection	Built-in circuit breaker protects starter from thermal damage and automatically resets at safe operating temperature



The new rotatable flange models were designed specifically to improve service flexibility and part number consolidation.

The new service models easily replace competitive units and provide full industry application coverage.



# Competitive Cross Reference

OEM	Engine	Delco Remy OE #	Delco Remy Reman #	New Service Part Numbers		Specs Pinion Pitch / Teeth	Competitive Cross Reference Mitsubishi
				Original All Makes Models	New Rotatable Flange Models		
Freightliner Sterling Western Star	MBE 4000	19011514	8300013	8200287 *	8200434	Mod 3 metric 12 tooth	MIB971179, MIB971179FL FL1179
		19011525	8300008				
		8200082	8300008				
		8200084	8300013				
	Cummins ISC, ISL	19011517	8300015	8200433	8200433	8/10 - 12 tooth	N/A
		19011526	8300007				
		8200087	8300015				
		8200081	8300007				
	CAT C15 Cummins ISX, ISM Detroit S60	19011518	8300019	8200289	8200308	6/8 - 11 tooth	MIB970975, MIB970975FL, FLO975, MIB970777, MIB970777FL, FLO777, FLO579
		19011530	8300019				
		19011521	8300009				
		8200091	8300009				
		8200090	8300009				
Detroit DD15/13	8200329	8300058	8200434	8200434	Mod 3 metric 12 tooth	N/A	
	8200298						
Navistar	Cummins ISX, ISM CAT C13, C15	8200050	8300009	8200289	8200308	6/8 - 11 tooth	3815734C91 IN1478
		8200091	8300009				
	DT466 DT570 HT570 Maxforce DT, 9, 10	8200081	8300007	8200433	8200433	8/10 - 12 tooth	MITIN1378
		8200218					
		8200219					
8200360							
MaxForce 11/13	8200210	8300062	8200470	8200433	8/10 - 12 tooth	3667911C91, IN2178	
Kenworth Peterbilt	CAT C9, C10, C11 CAT C12, C13, C15 Cummins ISX, ISM	19011529	8300019	8200290	8200308	6/8 - 11 tooth	D61-6002-004, D61-6002-008, PC0979, PC1479, PC1879 M983579
		8200050	8300009				
		8200090	8300009				
		8200104	8300019				
Mack	Mack E7	19011500	8300020	8200288	8200308	6/8 - 11 tooth	MK0077
		19011505	8300020				
		19011531	8300020				
		8200037	8300020				
	Mack MP7	8200223	8300059	8200468	N/A	8/10 - 11 tooth	21001797, MK1075
		8200214	8300060	8200417	8200433	8/10 - 12 tooth	21019460, MK2078
8200572	8300060	8200417	21019460, MK2079				
Mack MP10	8200182	8300061	8200469			21045969	
Volvo	Volvo D12	19011515	8300004	8200291	8200433	8/10 - 12 tooth	W0279
		8200186					
		8200058					
	Cummins ISX, ISL	19011516	10461777	8200289	8200308	6/8 - 11 tooth	20851006, W0776, W0977
		19011530					
		8200091					
	Volvo D11	8200223	8300059	8200468	N/A	8/10 - 11 tooth	21001781, VV1076
	Volvo D13	8200214	8300060	8200417	8200433	8/10 - 12 tooth	21019456, VV2079
8200572		8/10 - 12 tooth				21019456, VV2080	
Volvo D16	8200182	8300061	8200469		8/10 - 12 tooth	21001825, VV1979	

\*The replacement starter may mount the engine with the solenoid facing down by design.

Remy Inc. is a leading global manufacturer of Delco Remy brand heavy duty starters and alternators, light duty starters, and electric motor technology for EV and hybrid vehicles. A powerful legacy for over 100 years, today Remy International is engineering the future of the vehicle industry.



Remy Inc.  
600 Corporation Drive  
Pendleton, IN 46064 USA  
For Technical Assistance call 1-800-372-0222

**delcoremy.com**

Delco Remy is a registered trademark of General Motors Corporation, licensed to Remy Inc., Pendleton, IN 46064  
PRINTED IN USA | C11125